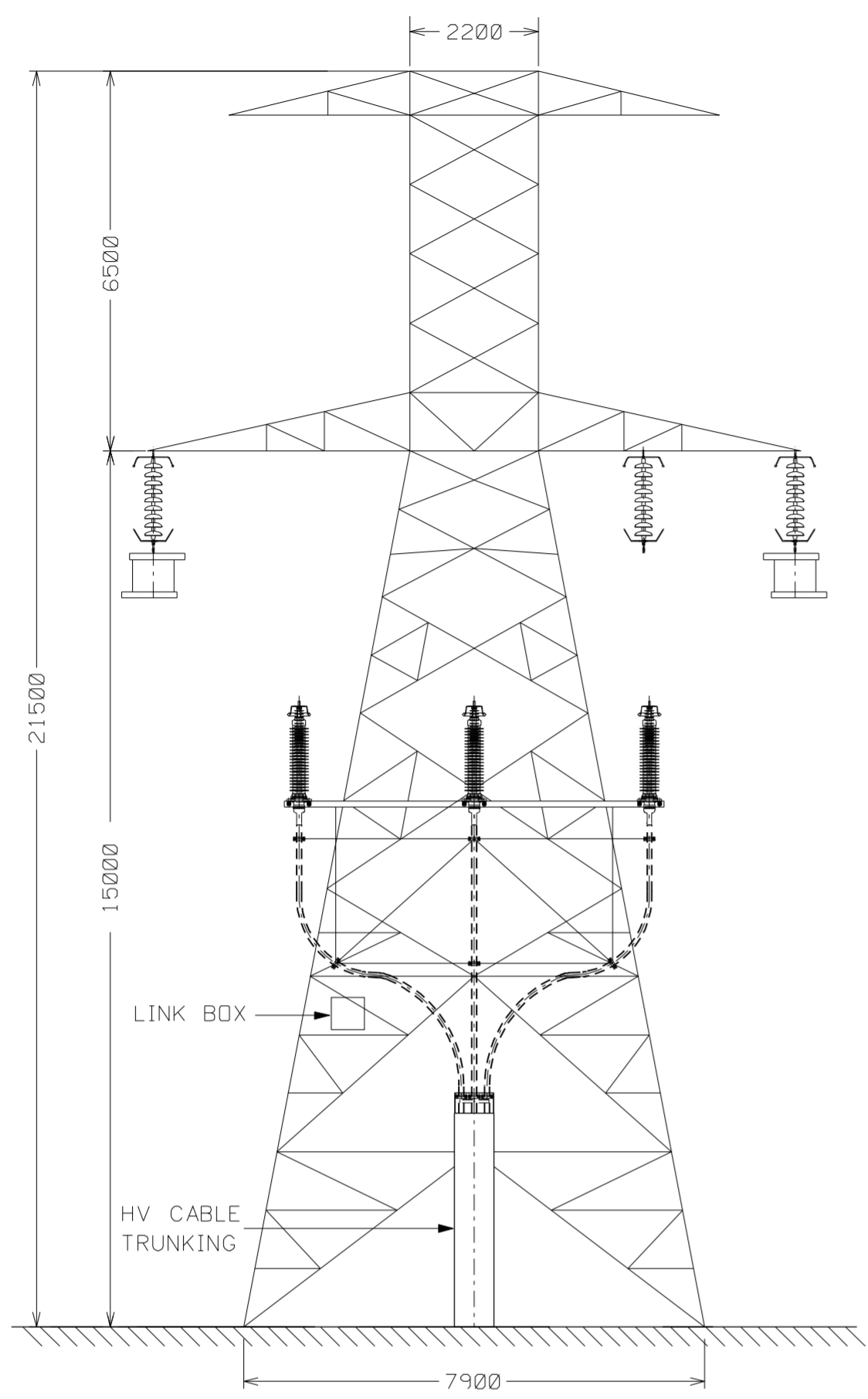
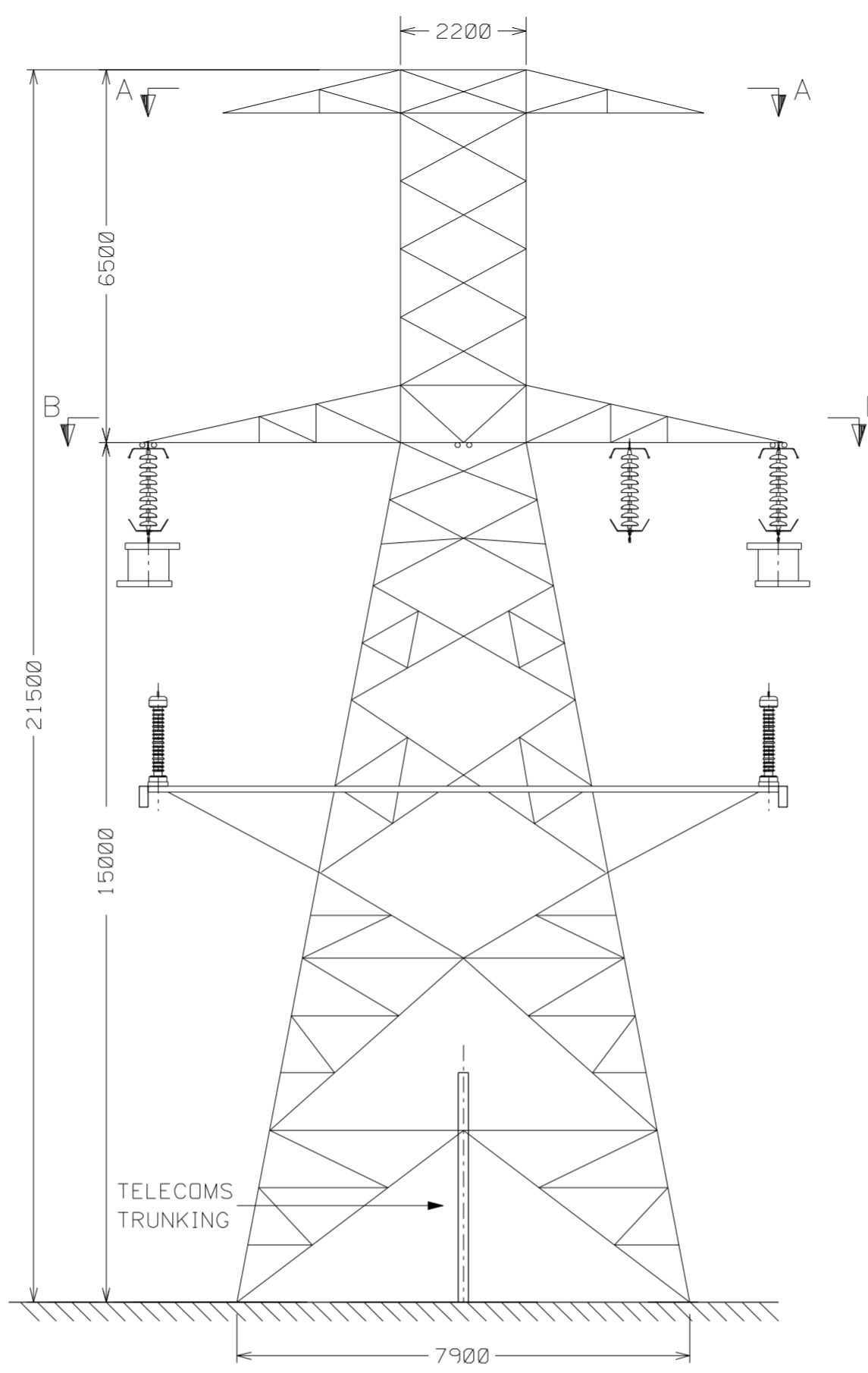


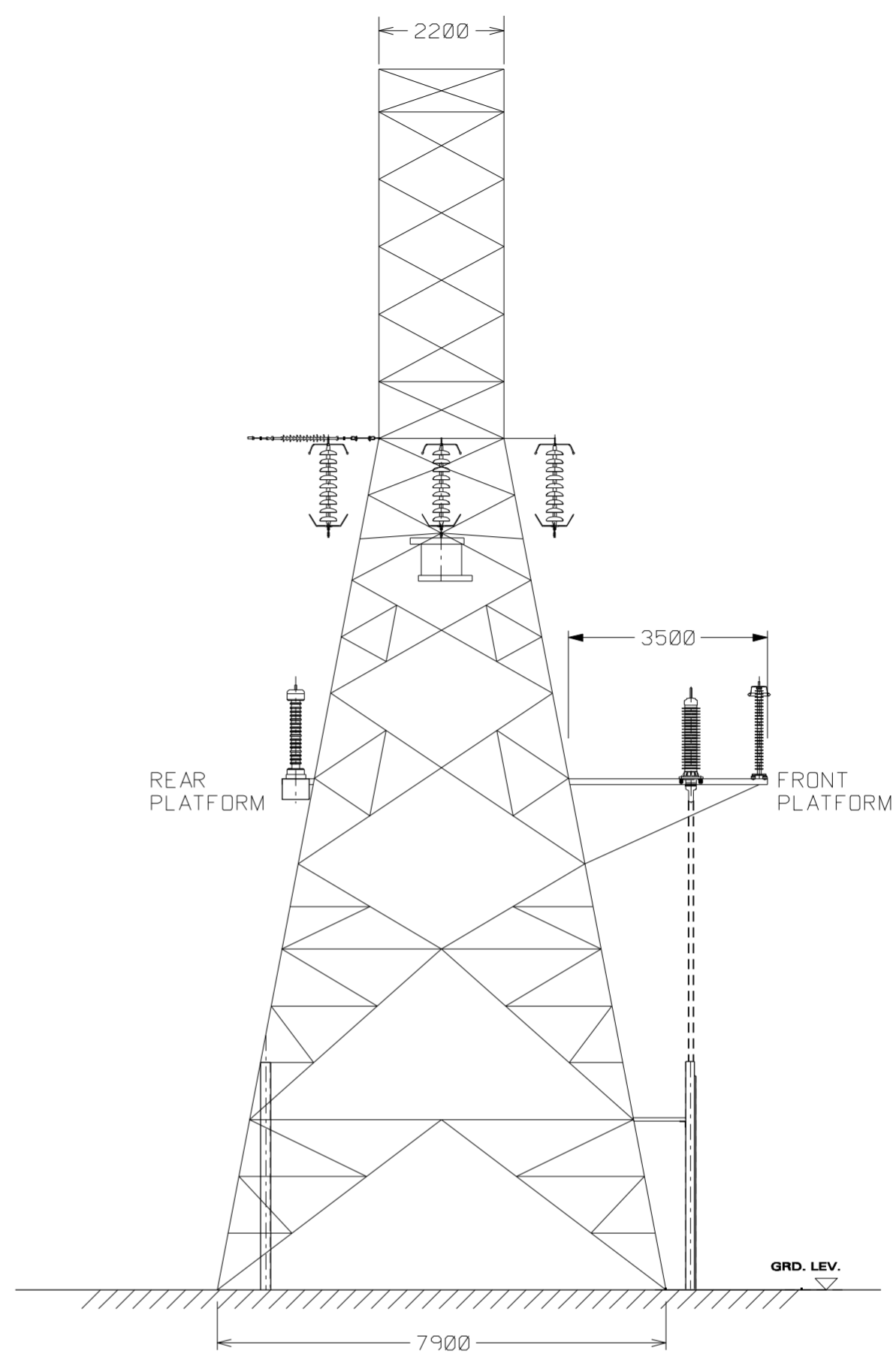
A



FRONT ELEVATION
(REAR PLATFORM REMOVED FOR CLARITY)

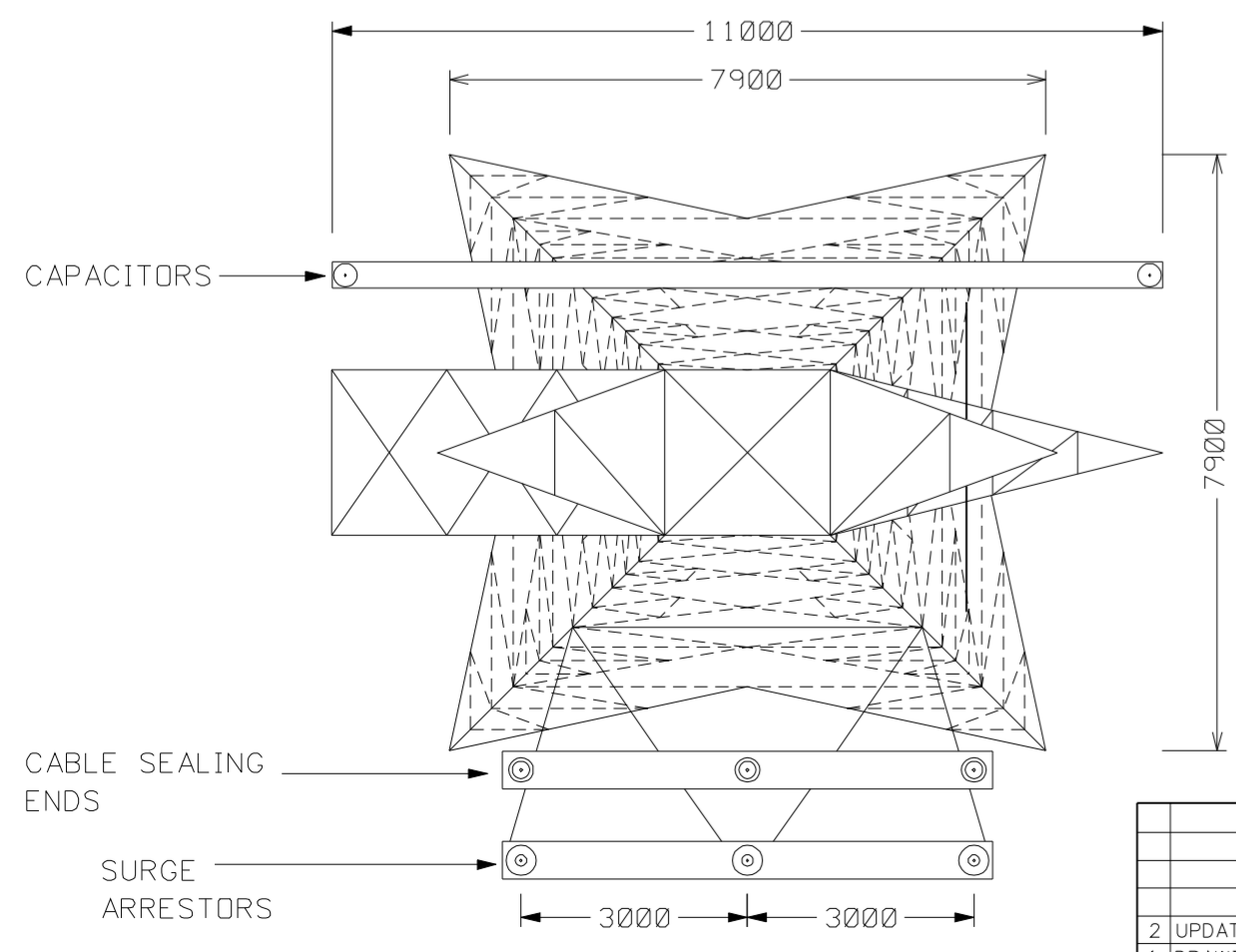


REAR ELEVATION
(FRONT PLATFORM REMOVED FOR CLARITY)

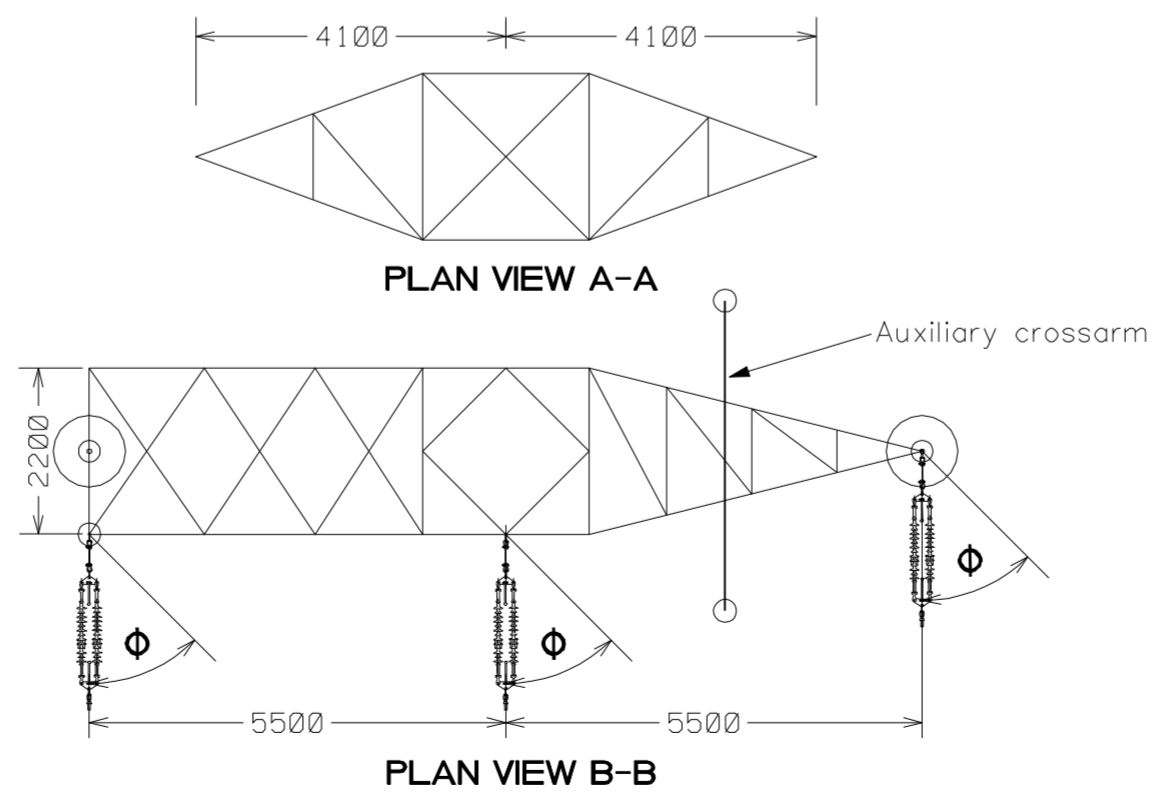


SIDE ELEVATION

D



PLAN VIEW
(INSULATORS REMOVED FOR CLARITY)
(TOWER BODY BRACING DOTTED FOR CLARITY)



PLAN VIEW A-A

PLAN VIEW B-B

NOTES:

- FOR DETAILS OF ANTI-CLIMBING GUARD WHICH WILL ATTACH TO THIS TOWER, SEE DRAWING No. PG567-D020-276, SHEETS 1, 2 & 3.
- THIS DRAWING IS INDICATIVE OF THE ASSEMBLY AND EARTHING OF ANCILLARY EQUIPMENT ON THE LINE/CABLE INTERFACE MAST.
- EQUIPMENT AND EQUIPMENT LAYOUT MAY CHANGE DEPENDING ON TOWER AND EQUIPMENT SUPPLIERS.
- LATTICE STEEL TOWER WILL HAVE INTERNAL BRACING WHICH WILL VARY DEPENDING ON SUPPLIER.
- ALL DIMENSIONS IN MILLIMETRES UNLESS STATED OTHERWISE.

2	UPDATED FOR NEW L/C ARRANGEMENT
1	DRAWING UPDATED & PLAN 1 & SECTION 3 ADDED.
0	BASED ON DRAWING PE424-SD-018-002-000
Rev	Revision Description
Purpose of issue - Preliminary unless indicated	
Tender	<input type="checkbox"/> Client Approval <input type="checkbox"/> Construction <input type="checkbox"/> As-built <input type="checkbox"/> Revised <input type="checkbox"/>

ESB International
ESBI Energy Innovation

ESBI Engineering Solutions, Stephen Court, 10-21 St. Stephen's Green, Dublin 2, Ireland. Tel: (01) 703 6000 Fax: +353 (0)1 703 7195 Email: marketing@esbi.ie Web: www.esbi.ie

ESBI Engineering Solutions is a trading name of ESBI Engineering & Facility Management Limited. Registered Office: as above Registered in Ireland No. 195249

Client	ESB NETWORKS
Project	Materials
Contract	

Drawing Title	110kV LINES OUTLINE DRAWING FOR PLANNING APPLICATION SINGLE CIRCUIT L/C INTERFACE TOWER WITH SHIELDWIRE RELIABILITY LEVEL 3
Production Unit	High Voltage Engineering

Drawn	E. Lawlor	Produced	D. Tuohy	Verified	P. Ennis	Approved	P. Ennis	Approved date	06/07/11
Client Ref	tc34304	No. of Shts	-	Size	A2	Scale	1:100		
Drawing Number	PG567-D04-200-001-002								
Copyright ESB International Ltd All rights reserved. No part of this work may be modified or reproduced or copied in any form or by any means - graphic, electronic or mechanical, including photocopying, recording, taping or information-and-retrieval system, or used for any purpose other than its designated purpose, without the written permission of ESB International Ltd.									