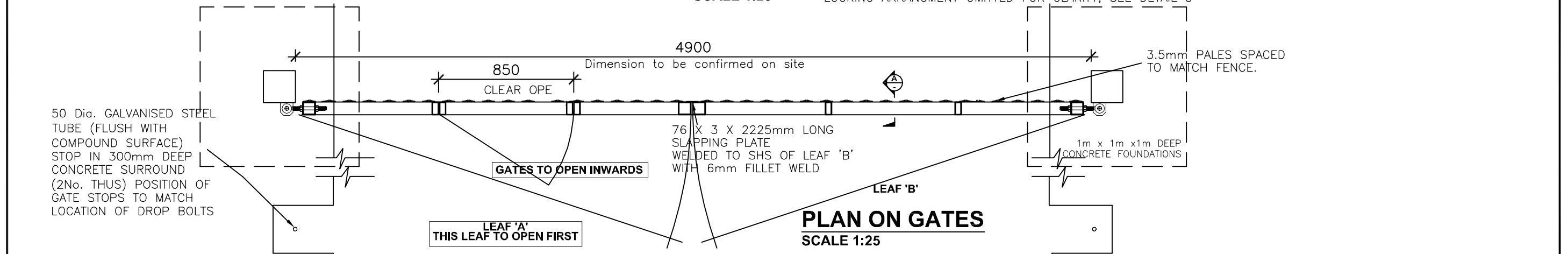


ELEVATION TO INSIDE OF GATES
SCALE 1:25

SECTION A-A
SCALE 1:25



PLAN ON GATES
SCALE 1:25

| Rev | Date | Revision description | Drn. | Prod | Ver. | App. |
|---|----------|----------------------|------|------|------|------|
| 0 | 22.11.12 | ISSUED FOR PLANNING | LK | LK | SOD | TM |
| Purpose of issue - Preliminary unless indicated | | | | | | |
| Tender <input type="checkbox"/> Client approval <input type="checkbox"/> Construction <input type="checkbox"/> As-built <input type="checkbox"/> Revised <input type="checkbox"/> | | | | | | |

ESBI International
ESBI Energy Innovation

ESBI Engineering Solutions, Stephen Court, 18-21 St. Stephen's Green, Dublin 2, Ireland. Tel: +353 (0)1 703 8000 Fax: +353 (0)1 703 7186 Email: marketing@esbi.ie Web: www.esbi.ie

ESBI Engineering Solutions is a trading name of ESBI Engineering & Facility Management Limited. Registered Office: as above Registered in Ireland No. 155249

Client: **EIRGRID**

Project: **LAOIS KILKENNY REINFORCEMENT PROJECT**

Contract:

Drawing title: **BALLYRAGGET 110 KV SUBSTATION**
DETAILS OF PALISADE DOUBLE GATE

Production unit: **Civil Building and Environmental**

COPYRIGHT © ESBI ENGINEERING & FACILITY MANAGEMENT LIMITED. All rights reserved. No part of this work may be modified or reproduced or copied in any form or by any means - graphic, electronic or mechanical, including photocopying, recording, taping or information-and-retrieval system, or used for any purpose other than its designated purpose, without the written permission of ESBI Engineering & Facility Management Ltd.

| | | | | | |
|---|-----------------------|------------------------------|-----------------------------|---------------------|-----------------------|
| DRAWN L.KIERNAN | PRODUCED L.KIERNAN | VERIFIED CIVIL S.ODONOVAN | VER. ELECTRICAL T.MALONE | APPROVED D.WALSH | APPD DATE 22.11.12 |
| Client ref. | | No. of sheets 1 | Size A3 | Scale As Shown | |
| Drawing number PE610-D003-003-012-000 | | | Sheet | Rev | |