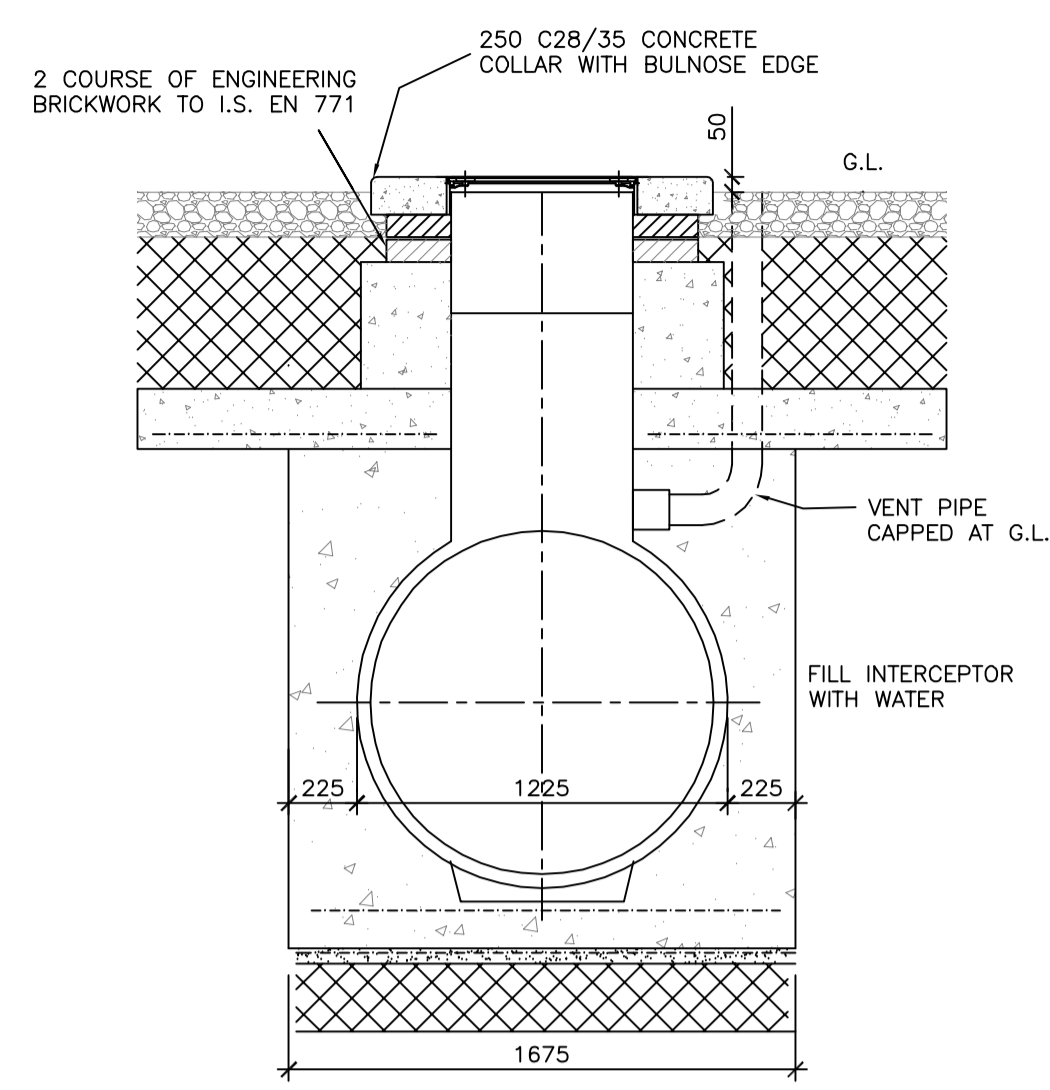
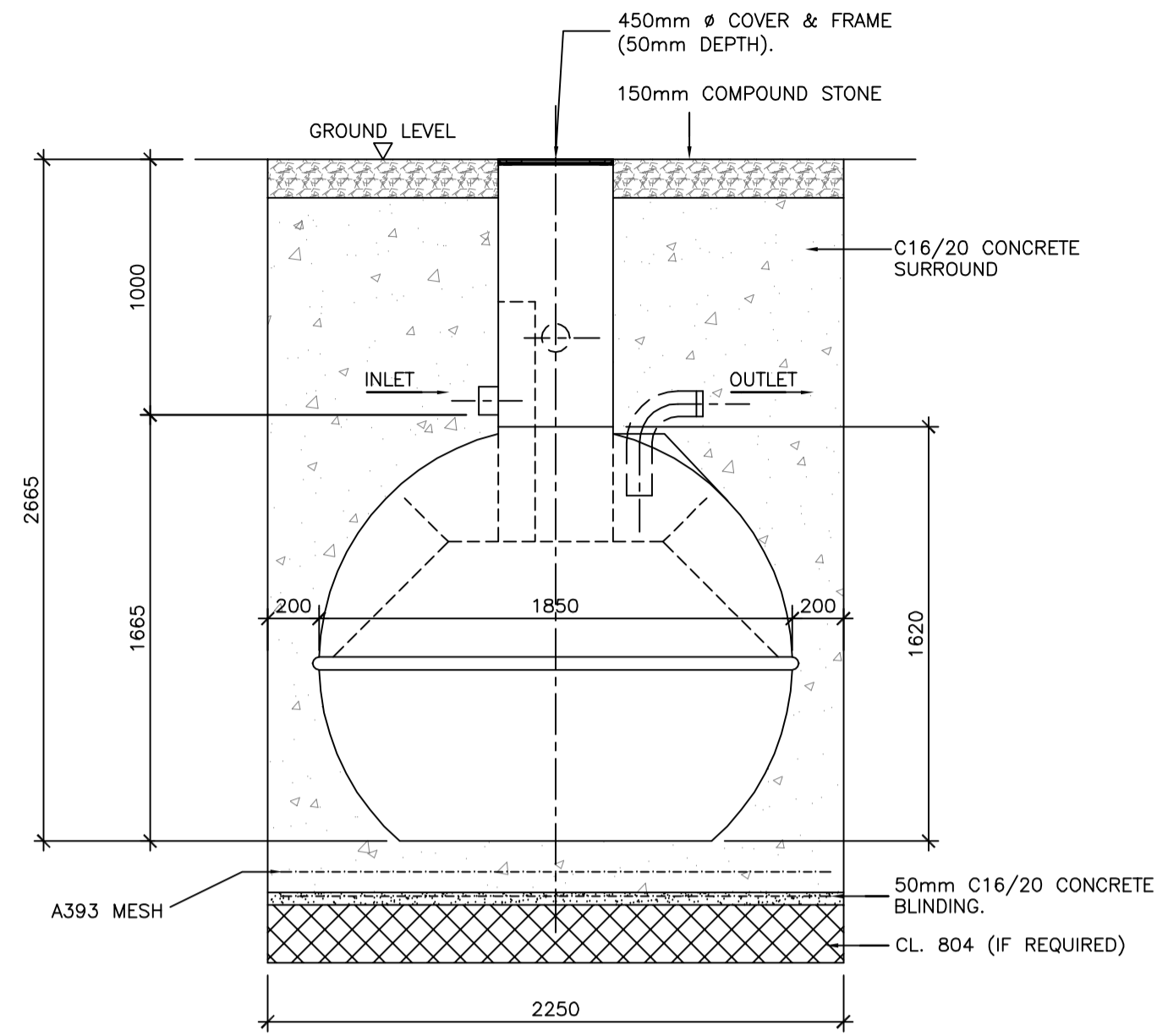


**SECTIONAL ELEVATION  
TYPICAL DETAIL OF NS10 CLASS 1 FULL RETENTION INTERCEPTOR**  
(Scale 1:25)

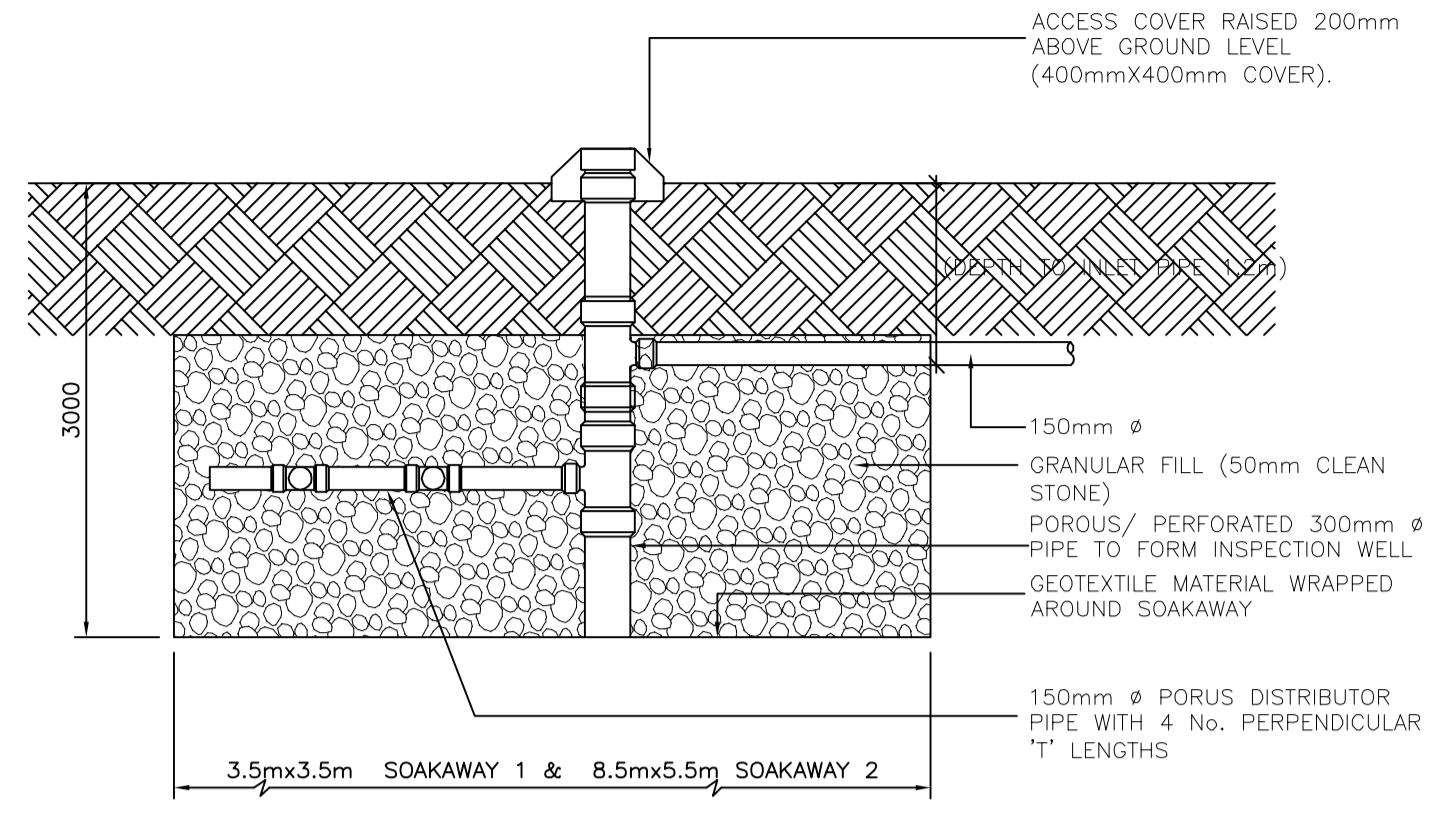
**CONSTRUCTION NOTES:**  
FILL INTERCEPTOR WITH WATER AFTER INSTALLATION AND BEFORE BACKFILLING. FOLLOW MANUFACTURERS INSTALLATION INSTRUCTIONS.  
FIRST TWO PIPES ON EACH RUN TO HAVE FLEXIBLE JOINTS.  
INTERCEPTOR TO BE VENTED & FITTED WITH CAP AT GROUND LEVEL.



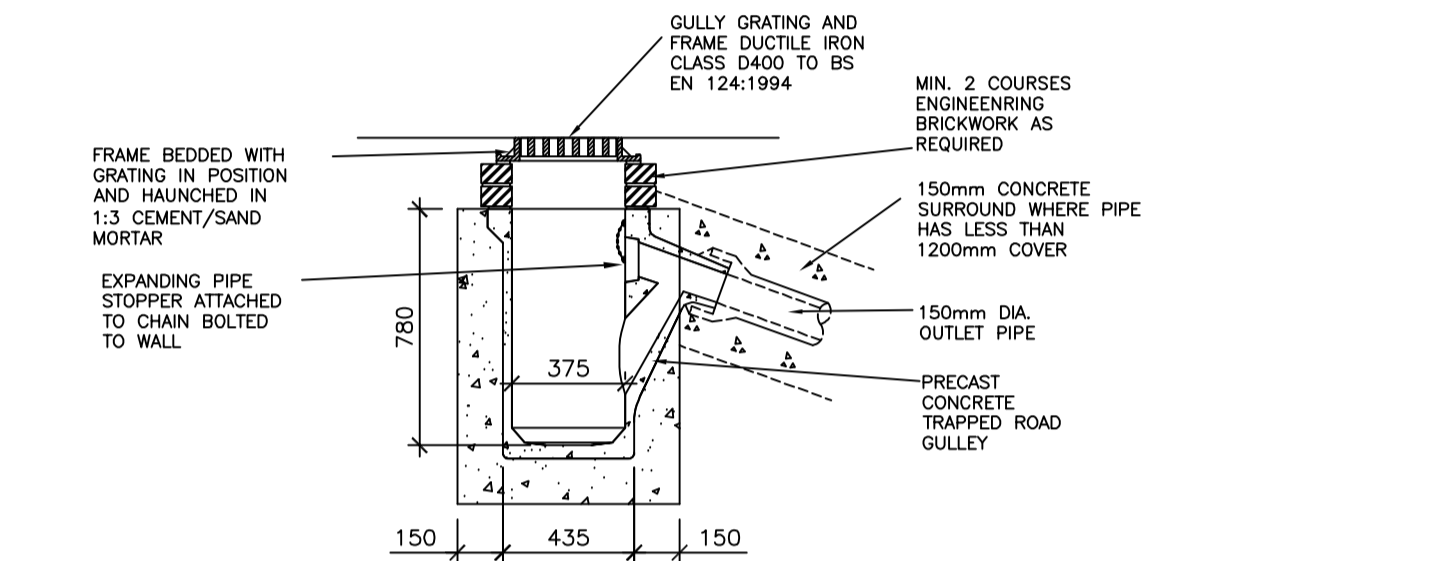
**SECTION A-A**  
SCALE 1:25



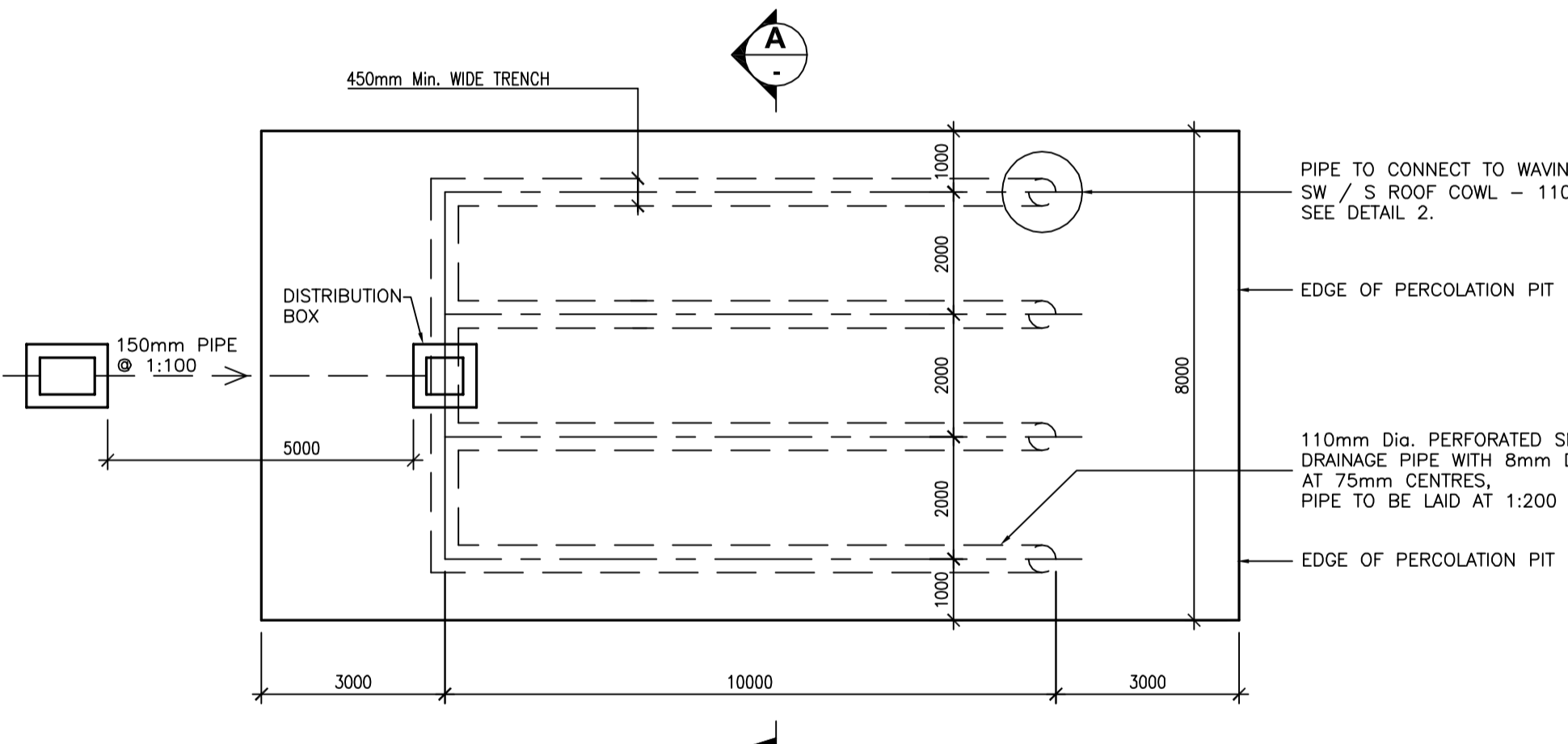
**ELEVATION OF SEPTIC TANK BY ANUA 2800 LITRE**  
(Scale 1:25)



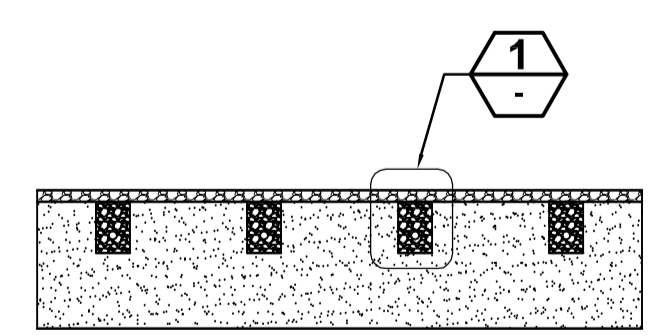
**SOAKAWAY 1 & 2**  
SCALE 1:50



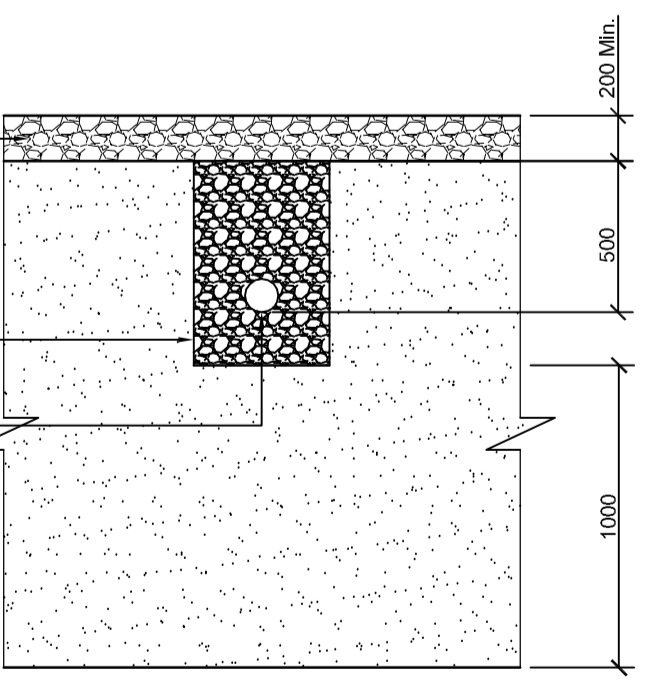
**PRECAST CONC. TRAPPED ROAD GULLY**  
(Scale 1:25)



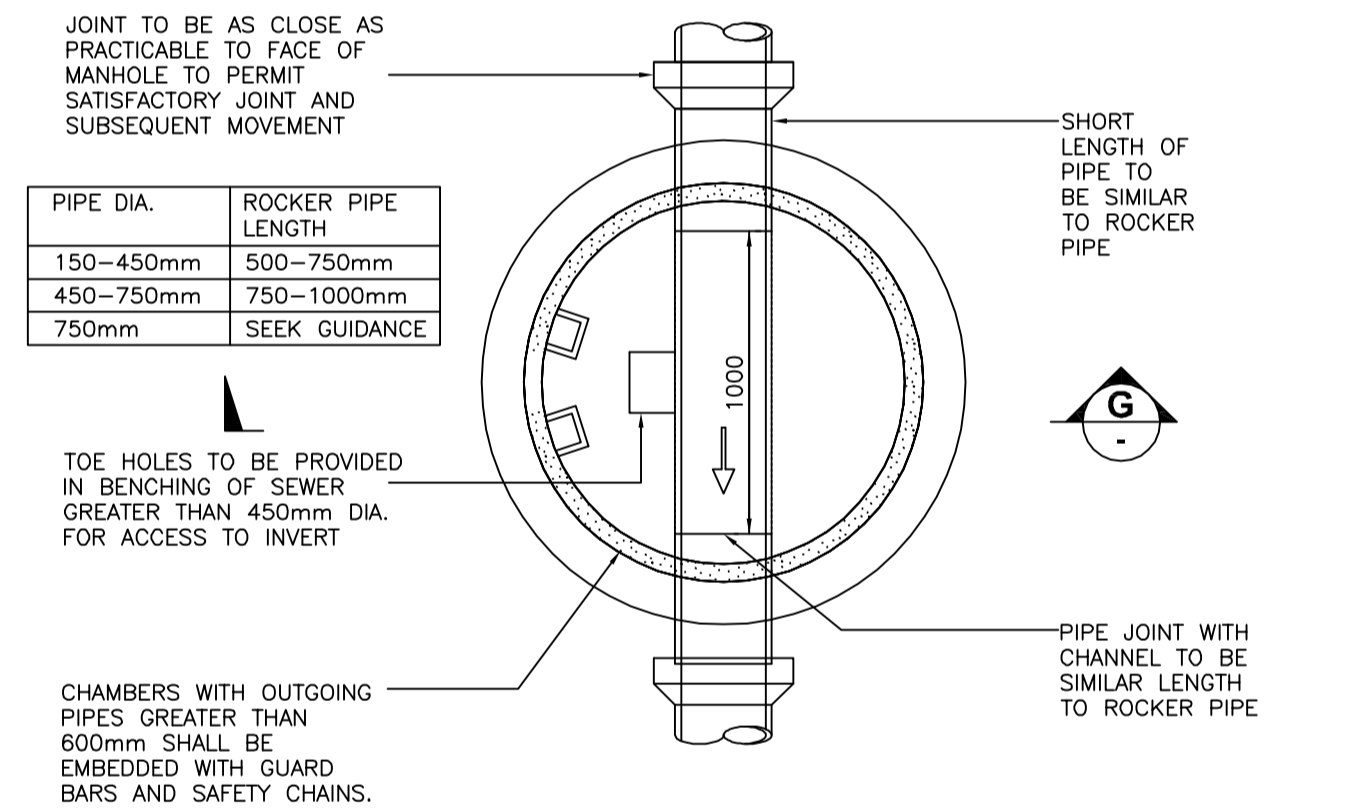
**TYPICAL LAYOUT OF PERCOLATION AREA  
PERCOLATION AREA TO BE CONSTRUCTED IN  
ACCORDANCE WITH NSAI - SR6:1991. (APPENDIX C)**  
Scale 1:100



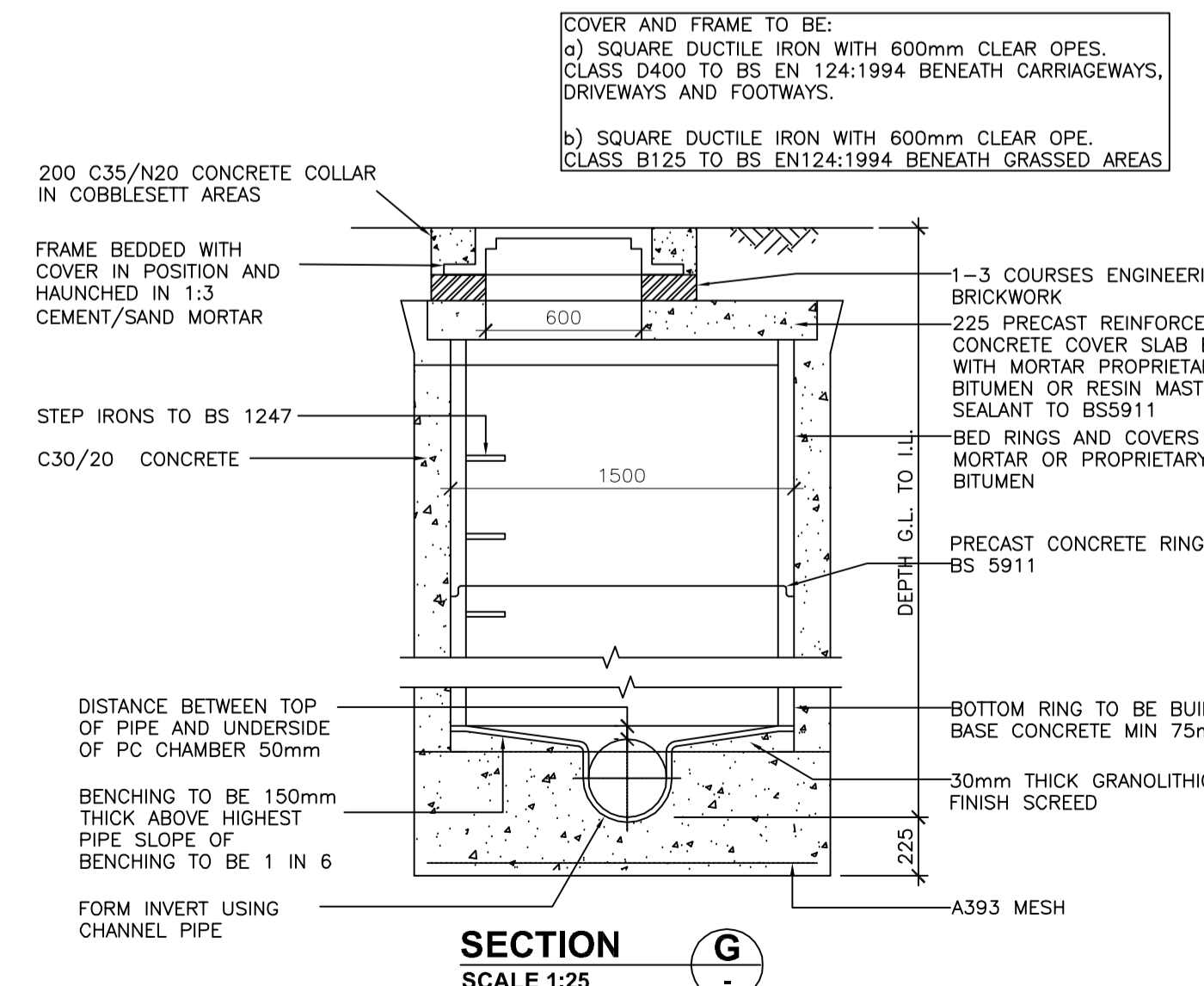
**SECTION A-A  
TYPICAL SECTION THROUGH PERCOLATION AREA.  
PERCOLATION AREA TO BE CONSTRUCTED IN  
ACCORDANCE WITH NSAI - SR6:1991. (APPENDIX C)**  
Scale 1:100



**DETAIL 1**  
SCALE 1:25



**PLAN SCALE 1:25**



**TYPICAL PRECAST RING MANHOLE, DEPTH TO SOFFIT 0-3m**

1	07.12.12	ISSUED FOR PLANNING PERMISSION	LK	DC	JMC	TM	DW
0	AUG'12	ISSUED FOR CLIENT COMMENT	FK	DC	JMC	TM	DW
REV.	DATE	REVISION DESCRIPTION	DRN	PROVDER	COVERE	APP	
PURPOSE OF ISSUE - PRELIMINARY UNLESS INDICATED							
TENDER	<input type="checkbox"/>	CLIENT APPROVAL	<input type="checkbox"/>	CONSTRUCTION	<input type="checkbox"/>	AS-BUILT	<input type="checkbox"/>
Client:	EIRGRID						
Project:	Ballyragget 110kV Substation						
Contract:	LAOIS KILKENNY REINFORCEMENT PROJECT						
Drawing Title:	DRAINAGE DETAILS SHEET 1 OF 2 BALLYRAGGET 110 KV STATION						
Production Unit:	Civil Building and Environmental						
 ESBI Energy Innovation ESBI Engineering Solutions, Stephen Court, 18-21 St. Stephen's Green, Dublin 2, Ireland. Tel: +353 (0)1 703 8000 Fax: +353 (0)1 703 7186 Email: marketing@esbi.ie Web: www.esbi.ie ESBI Engineering Solutions is a trading name of ESBI Engineering & Facility Management Limited. Registered Office: as above Registered in Ireland No. 155249							
DRAWN	PRODUCED	VERIFIED CIVIL	VERIFIED ELECTRICAL	APPROVED	APPRO DATE		
L.Kiernan	D.Cody	J.MacCarthy	T.Malone	D.Walsh	07.12.2012		
CLIENT REF	TC207433		No. of Sheets	2	SIZE	A1	SCALE
DRAWING NUMBER						SHEET REV	
PE610-D003-004-002-001							