

TOP OF PALES TO GATES TO BE LEVEL WITH TOP OF PALES TO FENCE

3.5mm PALES SPACED TO MATCH FENCE WELDED TO GATE FRAME

ENDS OF ALL HINGE BOLTS ON EACH LEAF TO BE BURRED TO PREVENT REMOVAL OF NUTS

3 x 100mm SLAPPER PIECE SITE FIXED TO BOTTOM OF GATE TO PRESERVE 75mm CLEARANCE TO BOTTOM OF GATES AND CAMBER TO ROAD.

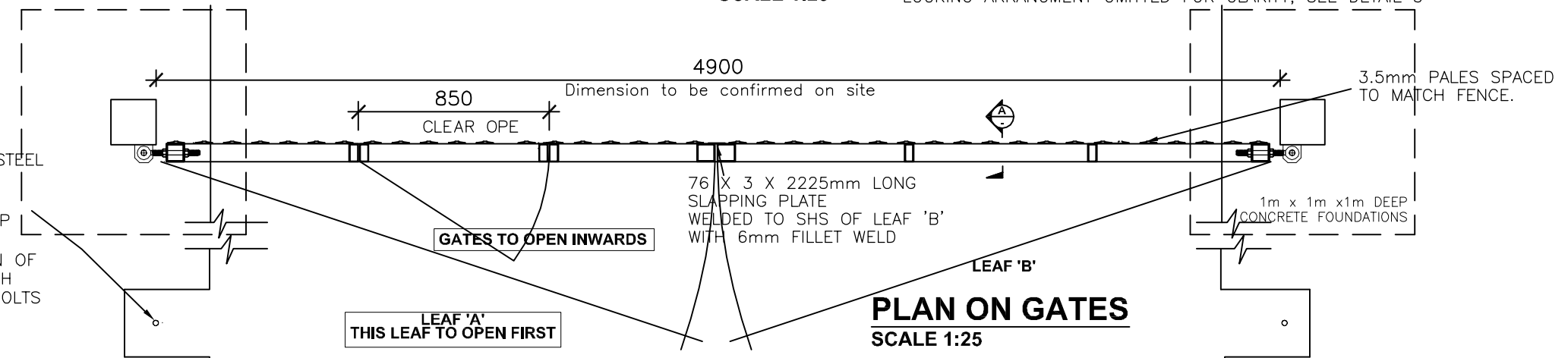
HOLES TAPPED TO TAKE M12 BOLT FOR EARTH STRAP

TOP OF FENCE PLINTH INTERNALLY

**SECTION A-A**  
SCALE 1:25

**ELEVATION TO INSIDE OF GATES**  
SCALE 1:25

LOCKING ARRANGMENT OMITTED FOR CLARITY, SEE DETAIL 3



**PLAN ON GATES**  
SCALE 1:25

Rev	Date	Revision description	Drn.	Prod	Ver.	App.
0	22.11.12	ISSUED FOR PLANNING	LK	LK	SOD	BW

**Purpose of issue - Preliminary unless indicated**

Tender  Client approval  Construction  As-built  Revised

**ESB International**  
ESBI Energy Innovation

ESBI Engineering Solutions, Stephen Court, 18-21 St. Stephen's Green, Dublin 2, Ireland. Tel: +353 (0)1 703 8000 Fax: +353 (0)1 703 7186  
Email: marketing@esbi.ie Web: www.esbi.ie

ESBI Engineering Solutions is a trading name of ESBI Engineering & Facility Management Limited.  
Registered Office: as above Registered in Ireland No. 155249

**Client**  
EIRGRID

**Project**  
LAOIS KILKENNY REINFORCEMENT PROJECT

**Contract**

**Drawing title**  
COOLNABACKY 400 kV SUBSTATION  
DETAILS OF PALISADE DOUBLE GATE

**Production unit**  
Civil Building and Environmental

COPYRIGHT © ESBI ENGINEERING & FACILITY MANAGEMENT LIMITED. All rights reserved. No part of this work may be modified or reproduced or copied in any form or by any means - graphic, electronic or mechanical, including photocopying, recording, taping or information-and-retrieval system, or used for any purpose other than its designated purpose, without the written permission of ESBI Engineering & Facility Management Ltd.

DRAWN L.KIERNAN	PRODUCED L.KIERNAN	VERIFIED CIVIL S.ODONOVAN	VER. ELECTRICAL B.WALL	APPROVED D.WALSH	APPD DATE 22.11.2012
Client ref.		No. of sheets 1	Size A3	Scale As Shown	

**Drawing number**  
PE610-D002-003-024-000

Sheet Rev